



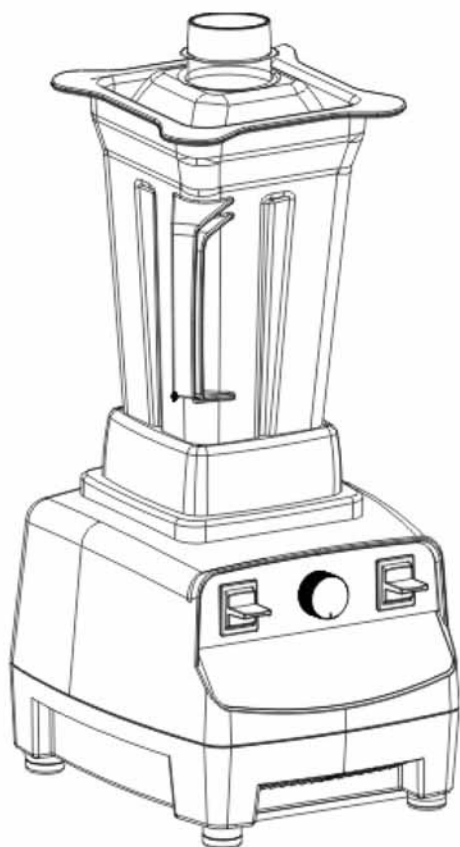
LadyShip

生機博士®

貴夫人®

全營養調理機

WHOLE FOOD NUTRITION MAKER



操作使用說明書

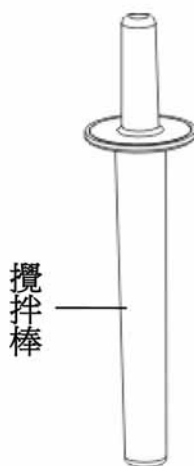
INSTRUCTION MANUAL

MODEL: LVT-768

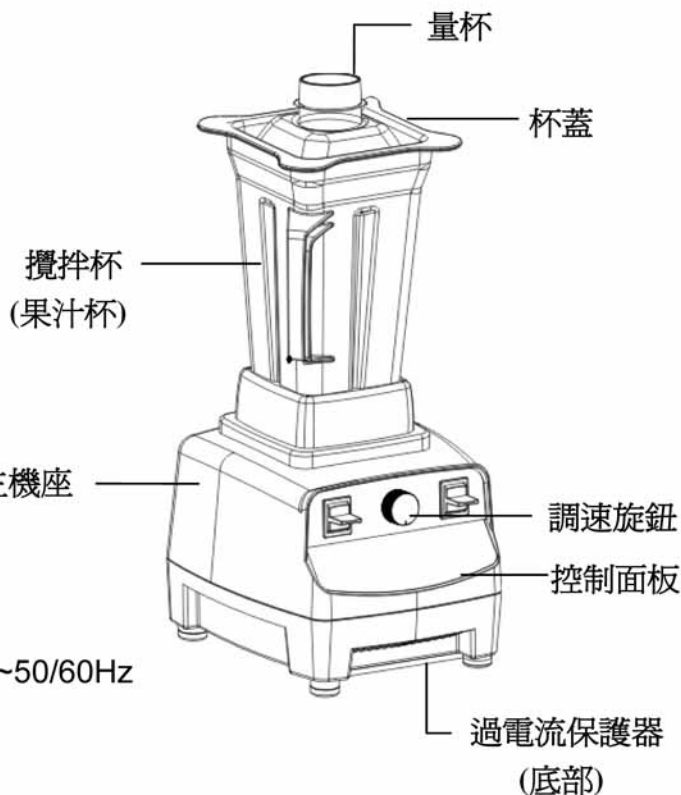
內 容：

各部名稱及規格.....	1
安裝方法及安裝圖示.....	2
操作模式.....	3
面板圖示.....	4
注意事項.....	5
保養事項.....	6
使用須知.....	7
NAME / SPECIFICATION	8
ASSEMBLY / OPERATION.....	9
OPERATION.....	10
CONTROL PANEL.....	11
COMPULSORY WARNING.....	12
MAINTENANCE / CLEANING.....	13
INSTRUCTION MANUAL.....	14

各部名稱：



攪拌棒



規 格：

電 源：220-240V~50/60Hz

消耗電力：850W

容 量：1500ml

回 轉 數：約 20000RPM

重 量：約 5.5kg

簡易參考食譜：

食 物	份 量	最大運轉時間	每次間隔 休息時間	連續運轉次數
黃豆粉製作	385g	60 秒/次	3 分鐘	5 次
紅蘿蔔	600g	60 秒/次	3 分鐘	5 次

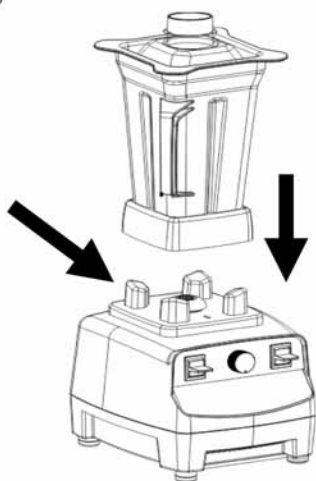
※切勿空機運轉。

安裝方法：

1. 將攪拌杯對準主機放置定位，注意攪拌杯有無與主機上防震墊貼合定位 (如圖一)。
2. 將食材放入攪拌杯中，將杯蓋壓入蓋好 (如圖二)。
3. 啓動開關前，請再確定攪拌杯是否就定位，因本機為強力馬達，起動瞬間請稍微扶住攪拌杯至機器運轉順暢即可(如圖三)。

安裝圖示：

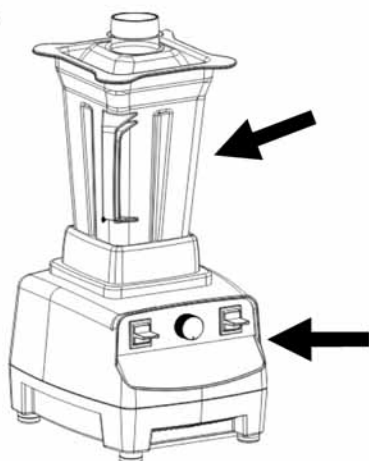
圖〈一〉



圖〈二〉



圖〈三〉

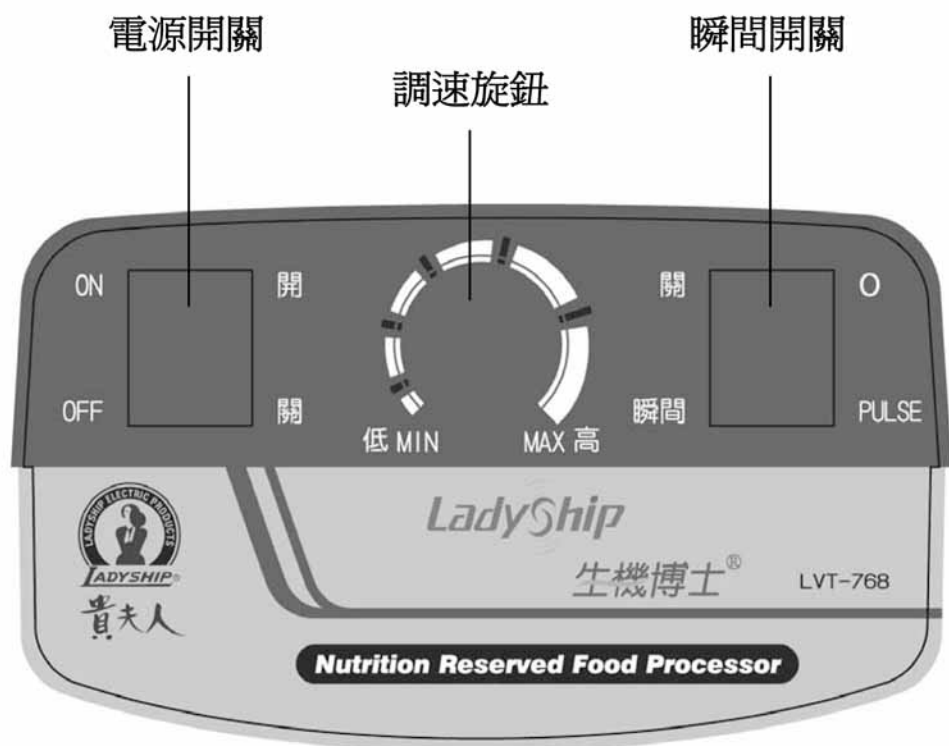


操作模式：

先將電源線插入電源，其操作模式如下：

- A. 手動操作模式：操作時將按鍵調至“開”位置，馬達開始運轉，**調速旋鈕** 順時針旋轉直到高速位置運轉，運轉中欲停止，請將按鍵調至“關”位置，**調速旋鈕** 反時針旋轉到低速位置。
- B. 瞬間模式：操作時手按“瞬間”鍵，此時馬達開始以高速運轉，手離開按鍵時，馬達即停止運轉，此模式不可連續運轉 15 秒鐘，每次間隔休息時間為 10 秒鐘。

面板圖示：



注意事項：

1. 請勿使用於 220-240V~50/60Hz 以外的電源。
2. 使用前請確定攪拌杯及杯蓋是否有正確安裝於機座上。
3. 需靜待調理刀停止運轉時，才可打開杯蓋。
4. 馬達有溫控裝置，若有超負荷使用時，會自動停止運轉，需等馬達降溫後(約 20 分鐘)，底部有一個按鈕(恢復型保險絲)按下即可恢復正常使用。
5. 不使用或使用完畢後請將插頭拔除。
6. 裝卸插頭時請確實握住插頭處，切忌直接拉扯電源線，電源線如有破損，請停止使用。
7. 請勿將主體接觸高溫表面或在不平的台面上操作。
8. 運轉中請勿任意搖晃或移動主體。
9. 除本公司技術維修人員外，請勿自行動手拆解、修理或改造，以免造成危險。
10. 若電源線損壞時，必須由製造廠或具有類似資格的人員更換，以避免危險。
11. 勿將本機器用來處理非常堅硬的食物，如冰糖、桃子、多籽食物等。

※ 緊急處理方法：

使用中如發生冒煙、起火燃燒情形時，請盡速將插頭拔離，並通知經銷商或製造商處理。

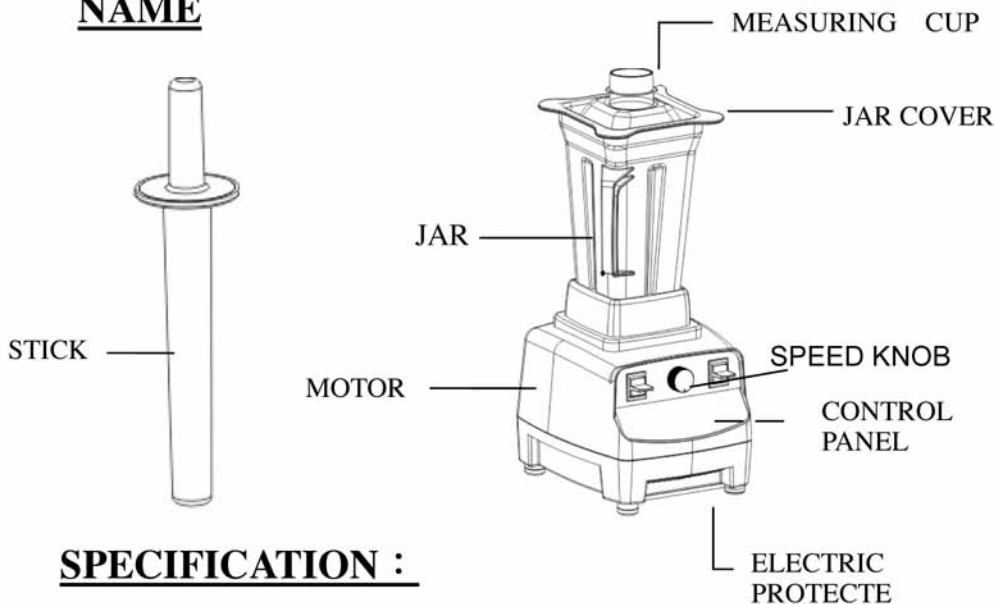
保養事項：

1. 馬達機身請用布沾濕擦拭乾淨，請勿浸泡於水中或用水沖洗。
2. 攪拌杯若有異味，用清水加一小片檸檬，裝至主機攪拌 1~3 秒鐘，攪拌杯就清香如新。
3. 清洗攪拌杯前，請先將攪拌杯從主機上取下，再將攪拌杯、沖洗乾淨。
4. 清洗後的攪拌杯，將水倒出後再蓋上果汁杯蓋，並裝至主機，空轉 3 秒鐘，將調理刀的水份全部拋乾，以確保衛生及安全。
* 清洗攪拌杯時，請使用瞬間啟動模式。(請參考操作模式)
5. 本調理刀採用 sus420 特殊鋼刀，使用過後須擦乾，若無拭乾產生水銹亦屬正常。
6. 攪拌杯使用完畢後請馬上清洗及擦乾，未飲用完畢之蔬果汁請另用杯子盛裝，避免蔬果汁殘留在杯內時間過長，使調理刀產生水銹。
7. 清洗時，請使用中性清潔劑，勿用酸鹼性清潔劑清洗，以免造成產品材質的損壞。

使用須知：

1. 攪拌硬質食物或冰塊，請先將蔬果或軟質食物放置杯底，再放入硬質食物或冰塊；若攪拌杯內有硬質食物或冰塊卡住調理刀時請立即關閉電源，先將攪拌杯從主機上取下，並用長匙或筷子攪拌後，再裝入主機重新啓動。
2. 因爲自製冰塊較大，使用時須先剝成小塊或使用衛生冰塊最能達到攪拌效果。
3. 多汁的蔬果可以不需加水就可以攪拌成蔬果泥，例如：鳳梨、蕃茄、葡萄..等。
4. 少汁的蔬果需加 **200cc~300cc** 的水才可以攪拌成蔬果泥，如：紅蘿蔔、蘋果、葉菜類..等。
5. 調製生機飲食時，蔬果不能放太多，約攪拌杯的一半，再加入 **200cc~300cc** 的水，攪拌成蔬果泥後再加水稀釋，就是可口健康的纖維生機飲食。
6. 攪拌冰砂時，請使用瞬間啓動模式。

NAME



SPECIFICATION :

Voltage : 220-240V~50/60Hz

Power : 850W

Capacity : 2000ml

Revolutions : 20000RPM(Approximately)

Weight : 5.5kgs(Approximately)

INSTRUCTION MANUAL

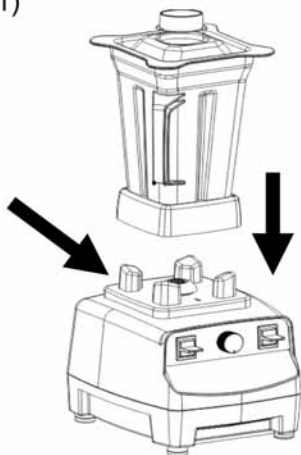
Thank you for choosing a Ladyship LVT-768 whole food nutrition maker. For safe and proper use of your LVT-768 whole food nutrition maker, please read the instruction manual before use.

ASSEMBLY

1. Take the jar and locate the jar securely in to the housing of the motor body.
(Picture 1)
2. Make sure the jar and jar cover are located correctly after placing ingredients in the jar. (Picture 2)
3. Make sure the jar is in correct position before turn on the motor. This product is with high power motor and please support with the hand on the jar when you turn on the motor until the motor running smooth.(Picture 3)

ASSEMBLY

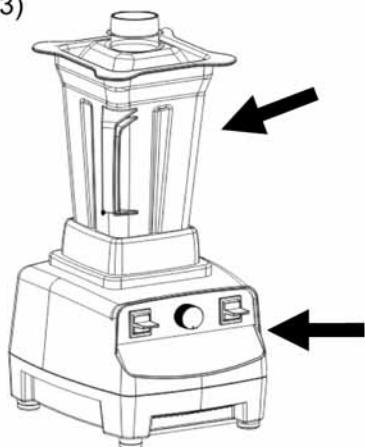
(Picture 1)



(Picture 2)



(Picture 3)

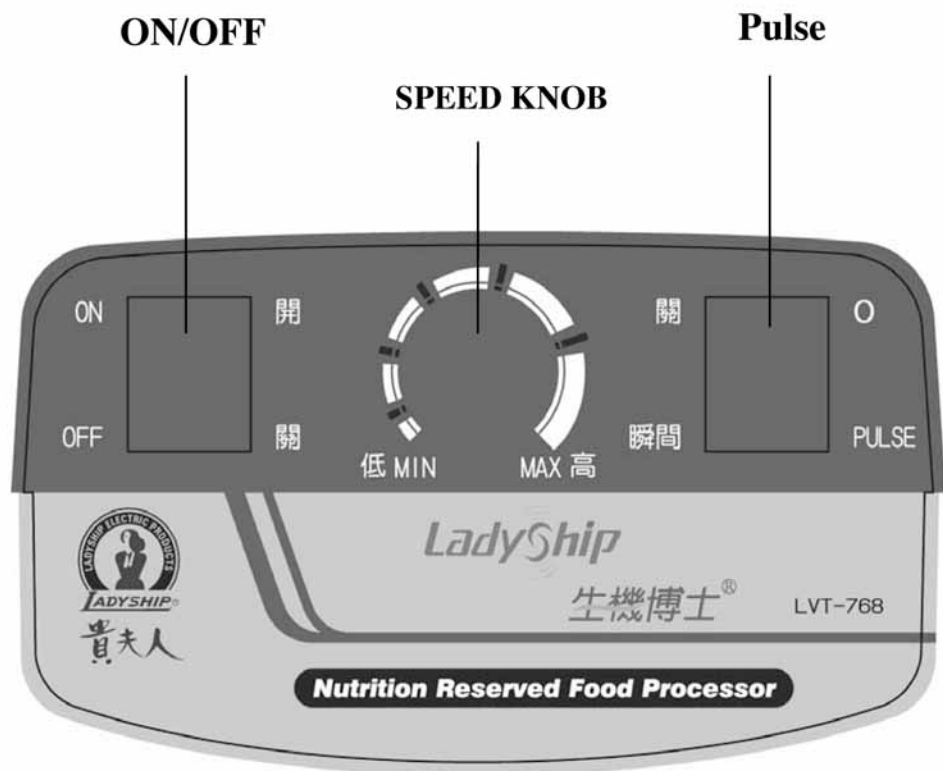


OPERATION

Please plug in to the power and follow up the instruction as below :

- A. High / Low Speed:** When you turn on in “ON” position, the motor will start operating. When you revolve the “SPEED KNOB” to the right side, the motor will start operating in high Speed. When you revolve the “SPEED KNOB” to the left side, the motor will start operating in low Speed. If you want to stop the motor while it is in operating, please turn to “OFF” position then the power will stop immediately.
- B. Pulse Button :** When you hold down the “Pulse” button, the motor will start to operate and when your finger leaves the “Pulse” button, the motor will stop. The Pulse button has been designed for 2~3 second bursts only. For longer blending / juicing periods use either the “High” or “Low” functions.

CONTROL PANEL



IMPORTANT SAFEGUARDS

1. This appliance is intended to be plugged into a 220 ~240V outlet only.
2. Make sure the jar and jar cover are in correct position before turn on the motor.
3. Wait until the blade has fully stopped before removing the jar and opening the jar cover.
4. This appliance is fitted with a temperature control safety switch. If after long or rigorous use the appliance suddenly stops. Disconnect the appliance from the power. Allow the appliance to cool down. Then remove the jar from the appliance, carefully turn it upside down or on it's side and push the rest button. If the appliance fails to start, leave for a longer period then repeat the procedure. If the appliance still does not operate call the manufacturer or one of it's authorized service agents for support.
5. Switch off the power outlet and remove the plug when the appliance is not in use.
6. Do not operate the appliance with a damaged cord or plug; if the appliance malfunctions; or if it is dropped or damaged in any manner.
7. Do not attempt to use this appliance on an uneven or unstable surface and do not use this appliance in high temperature areas.
8. Do not shake or move this appliance while it is operating.
9. If the supply cord is damaged; the appliance is defective in any way; it must be replaced or repaired by the manufacturer or its authorized service agent or a similarly qualified person in order to avoid a hazard.
10. DO not insert or allow foreign objects, such as knives, forks, spoons, etc to enter the jar as this may cause damage to the appliance or person's in the vicinity.

※EMERGENCY:

If the appliance starts smoking disconnect from the power source immediately, then contact the manufacturer or authorized service agent.

MAINTENANCE AND CLEANING

1. To clean the motor body wipe with a slightly damp cloth only and DO NOT place the motor body in water.
2. If the jar does smell; chop up one whole lemon add some water and blend in the jar. Allow to stand for a period, rinse out with water and allow to air dry.
3. Please take off the jar from the motor body before you wash the jar.
4. After following the washing instructions place the jar back on the machine as per normal operation and turn it on for 1 second, This will ensure dry blades.
5. The blade is made from SUS 420; please keep it in dry after you wash it or furring may occur on the blade surface.
6. After blending, DO NOT keep the juice in the jar long or furring may occur on the blade surface.
7. DO NOT wash with acidity / alkaline cleanser. This will prevent the deterioration from the product material.

CORRECT USE

1. When placing ingredients into the jar put the soft ingredients in first followed by the denser ingredients ; If ice or food sticks to the blade, stop the machine, remove the jar from the base. Remove the food from the jar and blade. Once clear replace the food and continue blending / juicing.
2. When combining ice with other ingredients use small blocks rather than large blocks as this will preserve your machine.
3. For low fiber high water content fruit, vegetables and leaves; blending / juicing can be done without adding additional water; e.g. watermelon, grapes, tomatoes, etc.
4. For high fiber low water content fruit, vegetables and leaves; blending / juicing add 200ml-300ml of water (water should just cover the ingredients). e.g. carrots, apples, kale, etc.
5. Please use pulse button for smooth.



貴夫人®

全營養調理機

WHOLE FOOD NUTRITION MAKER