



LadyShip[®]
雷迪迅浦[®]

貴夫人[®] Essence Extractor



INSTRUCTION MANUAL

Thank you for choosing our product. For complete bring this product into full play and longer use. Please read this instruction book before use.

LS-727

CONTENTS

SPECIFICATION.....	1
THE WAY OF ASSEMBLAGE AND FILTER.....	2
ASSEMBLY DIAGRAM.....	3
OPERATION.....	4
CONTROL PANEL.....	5
POINT FOR ATTENTION.....	6
MAINTENANCE.....	7
IMPORTANT NOTE.....	8
RECIPE.....	9
WARRANTY CARD.....	10

NAME



SPECIFICATION

Voltage : 220-240V~50/60Hz
 Power : 700W
 capacity : 1600ml
 Revolutions : 19000RPM(Approximately)
 weight : 5kg(Approximately)

RECIPE

FOOD	QUANTITY	TURN ON TIME (MAX)	REST TIME	RUNNING TIMES
Rice	500g	60Sec/1 Time	3 MIN.	5
Carrot Juice	640g	60Sec/1 Time	3MIN.	5

※DO NOT TURN ON WITHOUT ANY FOOD



ASSEMBLY

1. The safty arm turn left is "OPEN", and turn right is "CLOSE". (See picture 1)
2. When you put the filter into jar, please make sure the course must be fixed.
Then put on the jar cover. (See Picture 2)
3. When you want to close the jar cover, please remember to aim at the triangle from jar and jar cover. After that, please turn right the safty arm to close it.
(See Picture 3)
4. Please turn right to take off the spigot for clean then turn lift to put on the spigot after clean. (See Picture 4)
5. Before you clean the jar, please take off the spigot then take out the tube.
After you clean up, please put in the tube first then put on the spigot.
(See Picture 5)

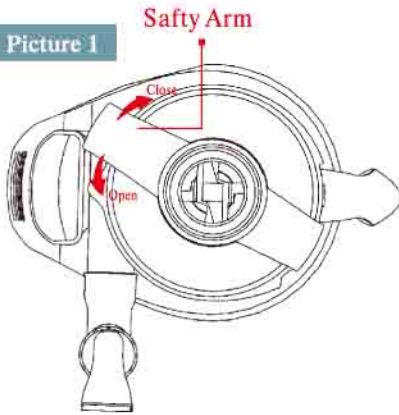
FILTER USING

1. No.1 filter : it is used for thick fiber vegetables and fruit such as Pasture, Grass, Soybean Milk, Rice Milk and Watermelon juice.
2. No.3 filter : it is used for Tomato Juice, Grape Juice and Hot Soup.
3. The think fiber vegetables and fruit will no need filter and please add about 200 cc water with the vegetables or fruit that you want to chop.

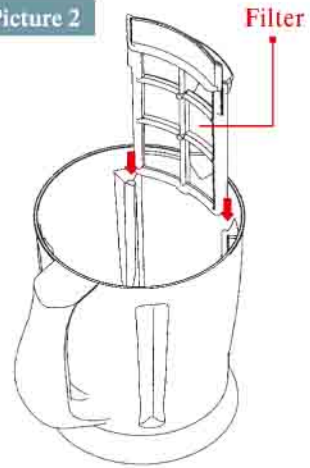


ASSEMBLY

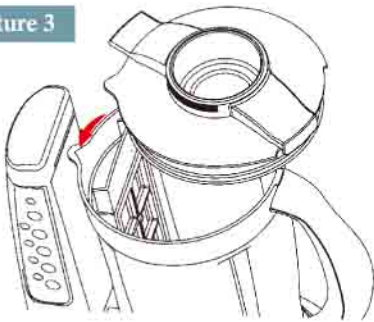
Picture 1



Picture 2



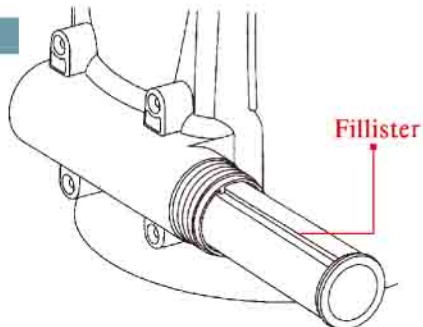
Picture 3



Picture 4



Picture 5





OPERATION

Please plug into the outlet first then the power Light will turn ON and the operation will be as below:

A. High / Low Speed :

When you push the "High Speed or Low Speed " button, the light will turn "ON" and motor will start to operating. the motor will stop automatic after 1 min. If you want to stop the motor while it is operating, please push the "Stop" button.

B. Auto Program :

When you push the "Auto Program" button, the AUTO light will turn "ON" and motor will start to operating. The motor will operate for 4 seconds then stop for 2 seconds for total 5 cycles. After that the motor will continuous operate for 30 seconds then motor will stop automatically with an alarm.

C. Pulse Button :

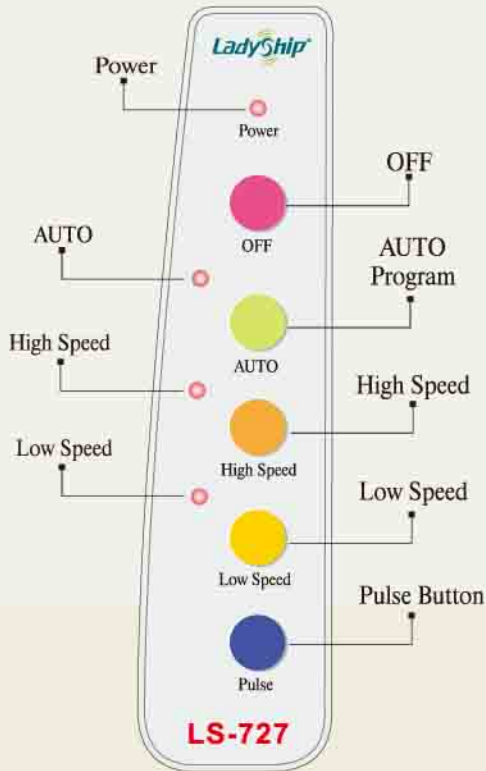
When you press down the "Pulse" button, the motor will start to operate but when your fingers leave the "Pulse" button, the motor will stop. Please do not continuous presses down "Pulse" button over 15 seconds and the rest time is 10 seconds.

REMARKS :

1. In program A and B, if you push the "Stop" button the motor will stop immediately while it is operating.
2. If you turn the safety arm to left which is "Open" then the motor will stop immediately while it is operating.

CONTROL PANEL

LadyShip



ATTENTION

LadyShip®

1. Please use 220V~240V .
2. Please make sure the jar and jar cover fix correctly with the base before using.
3. Please wait until the blade stop completely before you open the jar cover.
4. This motor has temperature control when the temperature is over, the motor will stop automatically. When the temperature cool down (about 20 mines), please push the black button in the base bottom then the motor will return to normal.
5. Please pull out the plug while you are not using this machine.
6. Please hold the plug when you pull out and do not hold the power cord to pull out the plug from the outlet. If the power cord broken, please do not use.
7. Please do not using this machine in high temperature area or uneven surface.
8. Please do not shake or move this machine while it is operating.
9. Please do not open or fix this machine by yourself.
10. When power cord damage, it must be fixed by professional.
11. Please do not use this machine with hard and solid food.

※ **EMERGENCY**

If this machine burning or has smoke come out while you are using, please pull out the plug immediately then contact with dealer or manufacturer.

MAINTENANCE

LadyShip®

1. Please do not put the motor base inside the water or wash.
2. If the jar inside has bad smell, you can chop water with 1pc of lemon then the smell will be better.
3. Please separate to wash jar, filter and spigot and please do not use chopstick or anything incisive to poke the filter.
4. Please make sure to put the jar on the motor and turn ON the motor again for about 1 second after you wash the jar. After that, there will not have water leave on the blade to be more clean.
5. The material of this blade is SUS420 and please keep it in dry after you wash it or it will have fur on the surface of blade and that is normal.
6. Please use toothbrush or soft brush, and do not use hard brush (steel brush / iron brush). This is to protect the filter for use longer.
7. Please wash / clean the jar immediately after you finish because when the juice stay in the jar too long, it is easy to make the blade have fur.



IMPORTANT NOTE

1. Please put the soft food into the jar first then put the hard (such as:ice) food on the top. When ice or hard food stick with blade, please take off the jar from motor base then take out the food and put in again.
2. Please use small ice to chop with fruit and vegetable.
3. For juicy fruit, you can chop for juice without water (such as: Pineapple / Tomato / Grapes)
4. For less juicy fruit, please chop for juice with 200cc~300cc water (such as: Carrot / Apple / Vegetable)
5. When you are making juice, please put half fruit / vegetable of the jar with 200cc~300cc water. After it becomes fruit / vegetable mash then add more water or milk to dilute.
6. Please use pulse function for smooth.





RECIPE :

(For information, please check at the DVD)

SOYBEAN MILK

1. Please use number 1 filter and put into the jar correctly.
2. The soybean must soak in water for about 8 hours then put around 600g soybeans into the jar.
3. Please put the jar cover / tray / funnel with jar together and turn right (Close) the safety arm.
4. Please put around 1800cc water (the ratio of soybean and water is 1 : 3) into the funnel. When the water submerges the soybean, please push the "High Speed" button and open the spigot.
5. When motor stop automatically, you will have 1800cc soybean milk.

RICE MILK

1. Please use number 1 filter and put into the jar correctly.
2. The glutinous rice must soak in water for about 8 hours then put around 600g glutinous rice into the jar.
3. Please put the jar cover / tray / funnel with jar together and turn right (Close) the safety arm.
4. Please put around 1800cc water (the ratio of soybean and water is 1 : 3) into the funnel. When the water submerges the glutinous rice, please push the "High Speed" button and open the spigot.
5. When motor stop automatically, you will have 1800cc rice milk.

PUMPKIN SOUP

1. Please use number 3 filter and put into the jar correctly.
2. Please wash the pumpkin with pumpkin skin the steamed the pumpkin.
3. Please put moderate pumpkin into the jar then set up the jar cover / tray / with jar together and turn right (Close) the safety arm.
4. Please pour in the hot water from the tray then set up the measuring cup. After that, please push the "High / Low Speed" button and open the spigot.

Warranty Instruction

Start from the buying date, this product has one year warranty. During the warranty time, if this product break down without any artificially then we will repair the product with free and the customer just need to pay for the freight. After we receive the product, we will repair it within 7 days. If you didn't fill in the warranty date on this warranty card then the warranty time will start from the manufacture date.

During the warranty time, please keep this warranty card for your right.

- 一、During the time, the situation as below, we will charge for the material.
 1. Not follow up the instruction manual and to dismount the product.
 2. Use the wrong Voltage.
 3. The dirt after using.
 4. Because of Natural Disaster / Mouse / an Insect Pest to cause product breakdown.

- 二、For the situation as below, we have to charge for the material.
 1. Over the warranty time.
 2. With no warranty card.
 3. With different model number.
 4. To write over the warranty card or can not be recognized.

- 三、If this warranty card is missed, we will not reissue for customer, so please keep for your right.



LadyShip[®]
雷迪迅浦[®]

貴夫人[®]

