



貴夫人

O₃淨化機

Multifunctional Ozone Machine



多功能
Multifunction

除臭
Deodorization

殺菌
Sterilization

解毒
Detoxification

保鮮
Freshness

Cycle Fuzzy

超強循環臭氧系列

LO-3700 使用說明書
LO-3800 User Menu

Functions Of Ozone:

What is O₃?

O₃, ozone in its molecular formula, is light blue air with the peculiar odor and has strong oxidization capability.

The 90% of O₃ in the atmosphere exists in the stratosphere, known as the ozone layer, 20km-50km above the surface of the earth. Ozone layer helps protect creatures on earth from harm by filtering out photons with short wavelength of ultraviolet light. With its strong capability of purification, sterilization, and oxidization, ozone can easily stem germs' propagation, detoxify objects, and bleaching.

Characteristic of O₃ ?

There is a small quantity of ozone consisting in air. In low concentration, ozone is colorless with peculiar odor like fresh air in forest or by waterfall, while in high concentration it is light blue colored with strong irritant odor. Due to consisting of 3 oxygen atoms, O₃ is very unstable and easily decomposed into O₂ and O.

What Can O₃ Do For You

For Food

- Preserving vegetables to be clean and fresh, and decontaminating vegetables
- Increasing the oxygen content, eliminating germs and antibiotics accumulated in meat.

For Drinking Water

- Changing the structure of H₂O to be soft water
- Killing germs
- Degrade chemicals (chlorine and bleach)

For House Keeping

- Clothes washing & bleaching
- Clean living environment

The Application of O₃ When Used In Water

1	Kitchen	<ul style="list-style-type: none">• Keep vegetables fresh, clean residues of pesticide remained on vegetables, extend the preservation of vegetables (Time Setting on 20 mins)• Increase the oxygen content of meat, decompose the antibiotics in the meat, and extend the preserving time. (Time Setting on 20 mins)• Steamed rice cooked with O₃ content water is more delicious. (Time Setting on 10 mins)
2	Drinking water	<ul style="list-style-type: none">• Purify, soften water and decompose chemical carcinogen
3	Aquarium	<ul style="list-style-type: none">• Increase oxygen content, remove impurities, and promote fish to growth. (20 mins per day suggested)
4	Laundry	<ul style="list-style-type: none">• Remove foul odor, kill germs, and bleach clothes. (Time Setting On 20 mins)

- When O₃ is applied in water, please place the bubble stone on the bottom of container in order to lengthen the retention of O₃ in water.
- The Time Setting mentioned above is suggested for references. You may adjust it properly.

The Effectiveness of O₃'s Sterilization

STERILIZATION RATE OF BACTERIA

1. Prepare 10⁵-10⁶ cfu/ml bacteria medium and placed into 100ml container.
2. Prepare a pipe and connect the two sides with ozone output and the air-stone respectively, then put the air stone side into container .
3. Aerate 2 minutes and 10 minutes, then measure the staphylococcus aureus, escherichia coli and salmonella typhi counts.

STERILIZATION RATE OF BACTERIA	Staphylococcus aureus (ATCC 6538)	Escherichia coli (ATCC 11775)	Salmonella typhi (ATCC 6539)
INOCULUM CONCENTRATION (CFU/mL)	6.1×10^5	5.9×10^5	1.66×10^5
ORGANISMS CONCENTRATION AFTER 2 MINUTES AERATION (CFU/mL)	1.58×10^5	5.9×10^5	4.6×10^4
STERILIZATION RATE (%)	74.10	0	72.29
ORGANISMS CONCENTRATION AFTER 10 MINUTES AERATION (CFU/mL)	< 1	< 1	< 1
STERILIZATION RATE (%)	99.99	99.99	99.99

REMARKS: CFU = COLONY FORMING UNIT

ATCC = AMERICAN TYPICAL CULTURE COLLECTION

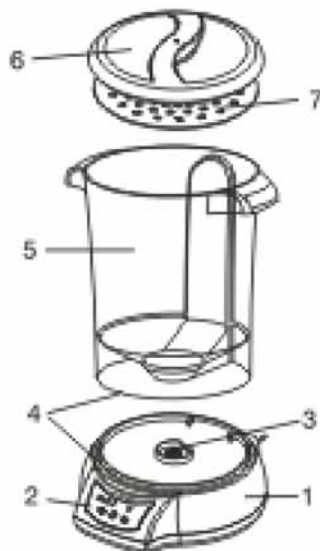
< = LESS THAN

This test data is for ozone output of 120mg/hr, the ozone output of 200mg/hr model can achieve the same disinfection performance with shorter operation time.

User Guide

Button and Display in Ozonizer

- 1.Main unit
- 2.Control panel
- 3.Ozonizer
- 4.Connecting point
- 5.Container
- 6.Cover
7. Plate



This Unit Contains :

O₃ Conducting Tube (Air Stone)	x 2
Filter	x 1
Test Bag	x 1

Operation Instruction

1. Place the vegetables and fruits into the unit with water higher than the Plate. Assemble the unit.
2. Make sure to place the unit on a solid surface. Plug the power connector into the outlet. Turn the power by switching in to "ON". By doing so, the "POWER" light should be lighted
3. Follow the instruction on the control panel. The recommend timetable should tell the time to fully wash the vegetables and fruits as desired.
4. The button on the left side of control panel is the timer control. Choose the desire time and the LED light will show the chosen time on the panel. If wanted to turn off the unit during the section, press the OFF button on the center of the control panel.
5. To set on the circulation function, please press the timer button and choose the desired time, then press the cycling button to perform. The red light on the cycling button should show. (the circulate function with the unit is setting to 20 minutes) Ex. Set the time at 10 minutes on the control panel and press the circulate button, the machine will work for 10 minutes and stop for 20 minutes. It will work periodically until turn off by pressing the stop button on the control panel.
6. The active carbon filter in the cover and filter at the bottom of main unit body need replacing every 6 months. (They're reusable after cleaning them with water.)
7. Please disassemble the pail from the main unit before cleaning the appliance. Wiping the main unit with wet cloth. Make sure it's getting enough dry before turning it on.

何謂臭氧

臭氧(O_3)是一種淡藍色帶有些許鮮草味的氣體，具有極強的氧化力，其名稱由英文OZONE翻譯而來，雖稱之為臭氧，事實上稀薄的臭氧不但沒有臭味，反而會給人一種清新舒暢的感覺。

大氣中臭氧約有90%存在於離地面約20~50公里的大氣中，是臭氧濃度最高的區域，它可以吸收太陽光中大部份的紫外線，以保護地球表面生物不受紫外線侵害，由於其具有極強的淨化及殺菌作用，使自然界中細菌與黴菌無法異常繁殖而保持平衡狀態。

由於臭氧強大的氧化力，具有殺菌、脫臭、漂白等多項功效，如妥善加以應用，實為生活中不可或缺的好伙伴。

☆活氧的特性

活氧的分子符號為 O_3 ，分子量是48，熔點： 192.7°C ，沸點： -111.9°C ，水中溶解度：微溶，比重約為空氣的1.7倍，約為氧的1.5倍，在大氣中僅有微量存在，稀薄狀態是近乎無色無臭，不可燃的氣體。低濃度時具有特殊草腥味（森林、瀑布邊的清爽新鮮空氣味），高濃度時則呈淡藍色，具一種特殊的激性味道。活氧 O_3 的氧的同位素，也是一種非常活潑的分子，由三個氧原子組成的不穩定氣體。在常溫 $18^{\circ}\text{C}\sim 30^{\circ}\text{C}$ 時，既迅速分解為氧分子(O_2)與氧原子(O)，當還原成氧氣時，氧原子游離出來，氧原子化性極活潑，反應性極高，具有強效的氧化力與分解力的功能，消毒、殺菌力特強，瞬間完成。

臭氧 O_3 與日常生活之關係

食物

- 蔬菜 · 保鮮
- 清除殘餘農藥
- 肉類 · 提高肉體含氧量
- 消除敗肉菌
- 分解殘留抗生素、荷爾蒙

水

- 改變水分子結構（軟水）
- 殺菌（大腸桿菌等）
- 分解化學藥劑（氯、漂白劑）

居家清潔

- 處理衣物（漂白、衛生）
- 清潔（拖地、洗滌、去污）
- 養殖清潔（魚、動物）

臭氧與水的應用

廚 房	<ul style="list-style-type: none">· 蔬果保鮮，可洗淨蔬果表面殘餘農藥延長保存時間(20分鐘)· 肉類與海產冰凍前與解凍間，可預防菌類滋生，消除腥味延長保存時間，及食物原有的鮮味(20分鐘)· 使用臭氧洗米，並用臭氧水煮飯，可使飯更營養、更Q(10分鐘)
飲 用 水	<ul style="list-style-type: none">· 可淨化水質、殺菌、除異味、氯等(20分鐘)
水 族 箱	<ul style="list-style-type: none">· 可除臭、除雜質、分解殘餘飼料，促進成長，增加水中含氧量，預防傳染病(標準3尺缸，建議每天使用20分鐘)
洗 衣 物	<ul style="list-style-type: none">· 可除臭、殺菌、漂白(如襪子、內衣褲、白襯衫等)(20分鐘)
口 臭 消 炎 牙 痛 潰 爛 口 腔 潰 爛	<ul style="list-style-type: none">· 將打過10分鐘之臭氧水(以水量1000cc計)，含在口中約1分鐘再吐掉，如此數次，即可止痛，由於其有殺菌之功效，固有消腫之作用。
香 港 腳	<ul style="list-style-type: none">· 將臭氧導入盛水之容器內，然後將腳放入容器直接浸泡，每次約10~20分鐘，一天一次，3~5天後可痊癒。· 所有襪子用臭氧水洗過消毒、殺菌、除臭。· 將鞋子用臭氧氣吹過消毒、殺菌、除臭。

<p>美 容 護 髮</p>	<ul style="list-style-type: none"> · 將頭髮用臭氧水洗淨後，擦乾，增氧美容護髮帽套入頭部，再將矽膠輸氣管插入機體之臭氧氣輸出口，臭氧氣由護帽內矽膠輸氣管知小孔輸出至頭髮上。 · 每次約5分鐘即可，使頭皮及頭髮增氧，以達到去頭皮、止癢、護髮、美容的功效，同時使頭部皮膚增氧，促進血液循環，以達到生髮醒腦、舒壓的功效。
<p>牙刷、消毒 殺菌、除臭</p>	<ul style="list-style-type: none"> · 牙刷刷毛上隱藏無數的細菌，而造成牙齦口腔等疾病，使用強臭氧氣輸氣管直接噴上刷毛，約2~3分鐘即可消滅細菌，確保牙齦口腔衛生健康。
<p>註</p>	<ul style="list-style-type: none"> · 臭氧與水應用時，儘可能將氣泡石置於水容器之底部，以延長臭氧滯留水中的時間，發揮最大功效。 · 建議使用時間，僅供參考使用，顧客可依水容器之體積大小，及使用效果，增減使用時間。

資料來源：臭氧利用的新技術－日本三瑠書局

臭氧殺菌效果檢驗

報告日期：2006.05.09

報告號碼：THJ0020501

檢驗單位：全國公證檢驗股份有限公司

方法：直接曝氣並測試細菌去除率

測試菌種：金黃色葡萄球菌(*Staphylococcus aureus*) (ATCC 6538)

大腸桿菌(*Escherichia coli*) (ATCC 11775)

沙門氏桿菌(*Salmonella typhi*) (ATCC 6539)

測試步驟：1. 準備容器，置入100mL內含菌濃度約為 10^5 - 10^6 CFU/mL的菌液。

2. 將管子一端接於臭氧輸出孔，另一端接氣泡石並置於100mL菌液內。

3. 直接曝氣2分鐘及10分鐘做金黃色葡萄球菌、大腸桿菌、沙門氏桿菌含量分析。

測試結果：

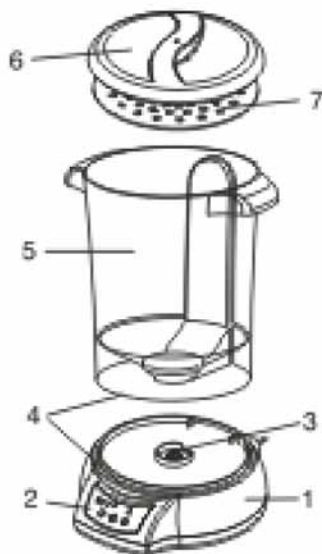
直接曝氣 並測試細菌去除率	金黃色葡萄球菌 (<i>Staphylococcus aureus</i>) (ATCC 6538)	大腸桿菌 (<i>Escherichia coli</i>) (ATCC 11775)	沙門氏桿菌 (<i>Salmonella typhi</i>) (ATCC 6539)
起始菌濃度 (CFU/mL)	6.1×10^5	5.9×10^5	1.66×10^5
曝氣2分鐘後菌濃度 (CFU/mL)	1.58×10^5	5.9×10^5	4.6×10^4
去除菌率(%)	74.10	0	72.29
曝氣10分鐘後菌濃度 (CFU/mL)	<1	<1	<1
去除菌率(%)	99.99	99.99	99.99

備註：CFU = 菌落形成數
ATCC = 美國菌種保存中心之菌種編號
< = 小於

※此為臭氧輸出量120mg/每小時之檢驗數據，臭氧輸出量200mg/每小時之殺菌效果更為快速。

圖示與使用說明

1. 主機
2. 控制面板
3. 臭氧輸出口
4. 組合點
5. 蔬果桶
6. 蔬果桶蓋
7. 壓板



附件：

- 導管 (含氣泡石) X 2
- 過濾棉 X 1
- 測試包 X 1

- 1、將欲清洗之蔬果，放入蔬果桶內，加入清水，水位高於蔬果桶壓板約 0.5 公分。將蔬果桶與機器組合，請依蔬果桶與機器的組合點組合，並蓋上蔬果桶蓋。
(可稍微左右旋轉，較易組合)
- 2、確實將機器放置於平穩的桌面上，將插頭插於電源插座上，將機器後方之 POWER 開關切至 ON 之位置，此時 POWER 燈亮起。
- 3、依控制面板上時間顯示，設定清洗時間 (清洗完成時，建議可準備一盤洗菜籃，將蔬果桶打開，再將清洗之蔬果及臭氣水倒入洗菜籃，較為方便)
- 4、控制面板左方之按鈕為 (定時鍵)，選擇所需輸出具體時間，此時按鈕上方之 LED 會顯示所選擇的時間，同時啟動機器，輸出臭氧，如中途欲關機，則 按面板中央按鈕 (關機) 機器即關機，否則設定時間中止，亦會自動關機。
- 5、如欲循環使用，則先按 (定時鍵) 選擇時間後，再拍右邊之 (循環鍵)，此時機器會循環運轉 (循環鍵) 上方之紅燈會亮。(本機器之循環設定停機時間為 20 分鐘)，例如先按設定鍵選擇時間為 10 分鐘，在拍循環鍵，則本機器運轉 10 分鐘後，會停機 20 分鐘，再運轉 10 分鐘，一直循環，當不使用時，則 可拍關機鍵，即行關機。
- 6、上蓋活性炭過濾棉及主機底部過濾棉，約半年更換一次。(過濾棉清洗乾燥後可重複使用)
- 7、清潔產品時，請將蔬果桶與主機分離清洗，主機部分以濕布擦乾擦拭，待其完全乾燥方可啟用產品。

注意事項 Caution

1. 為確保本產品正確安全之操作，若未經由指導訓練或有經驗者監下，請勿讓身心障礙者、孩童以及缺乏相關操作知識與經驗者單獨使用本產品。
This appliance is not intended for use by persons (including children) with reduced physical, sensory or mental capabilities, or lack of experience and knowledge, unless they have been given supervision or instruction concerning use of the appliance by a person responsible for their safety.
Children should be supervised to ensure that they do not play with the appliance.
2. 若電源供應線遭損傷，請送至原廠、代理商或相關專業者進行更修理，切勿自行更換以避免傷害。
If the supply cord is damaged, it must be replaced by the manufacturer, its service agent or similarly qualified persons in order to avoid a hazard.
3. 請勿連續運轉超過80分鐘，若採用循環使用，每一循環間隔停機20分鐘則不在此限，請參照使用說明第六點。
Please do not keep the machine operating continuously for more than 80 minutes. If there is at least 20 minutes idle time between each operating cycle then the restriction does not applied. Please refer to the 6th point in the user manual for more details.
4. 產品規則標示於主機底部，請勿將此產品連接不同電壓源。
The specification is listed at the bottom of the appliance. Please note its assigned voltage range.
5. 此產品僅限於清洗，請按照使用說明操作本產品，務必在蔬果桶安放在主機上、桶蓋蓋好的情況下使用本產品，並注意水位高度不可低於壓板2公分。
This product only for washing, please follow the instructions to operate this product, make sure to place container on the main and plate with cover is covered before use. And note water level can not be lower 2cm under the plate.
6. 進行清洗或其他維修產品動作時，必須先將電源關閉。
Prior to cleaning or other maintenance, the appliance must be disconnected from the supply mains.